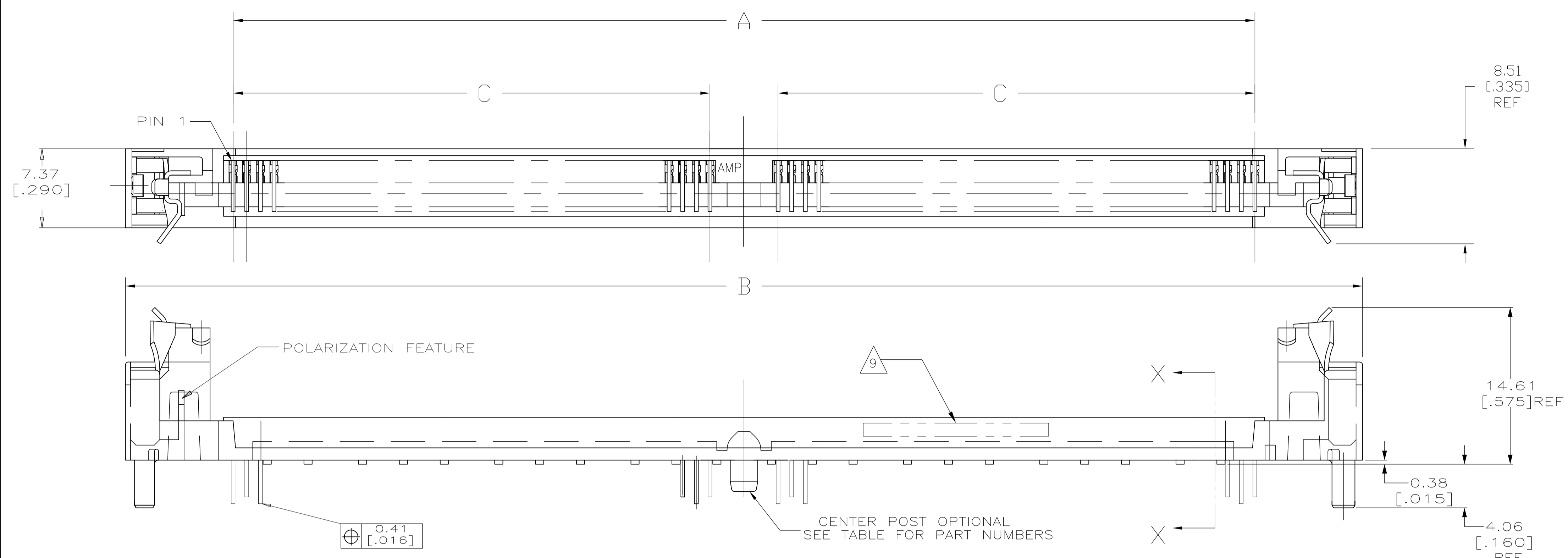
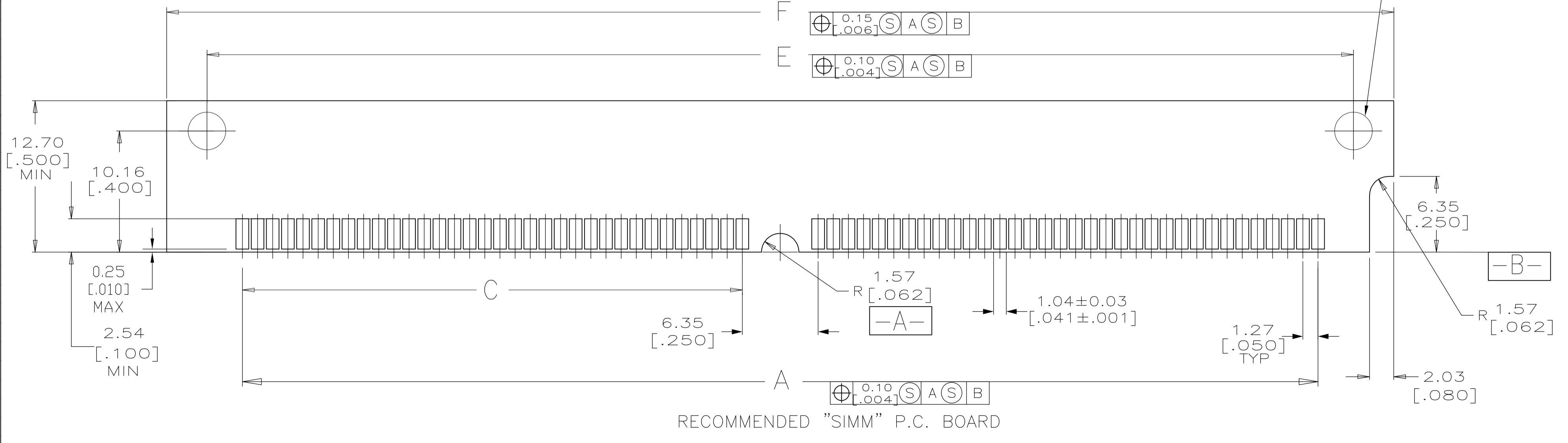
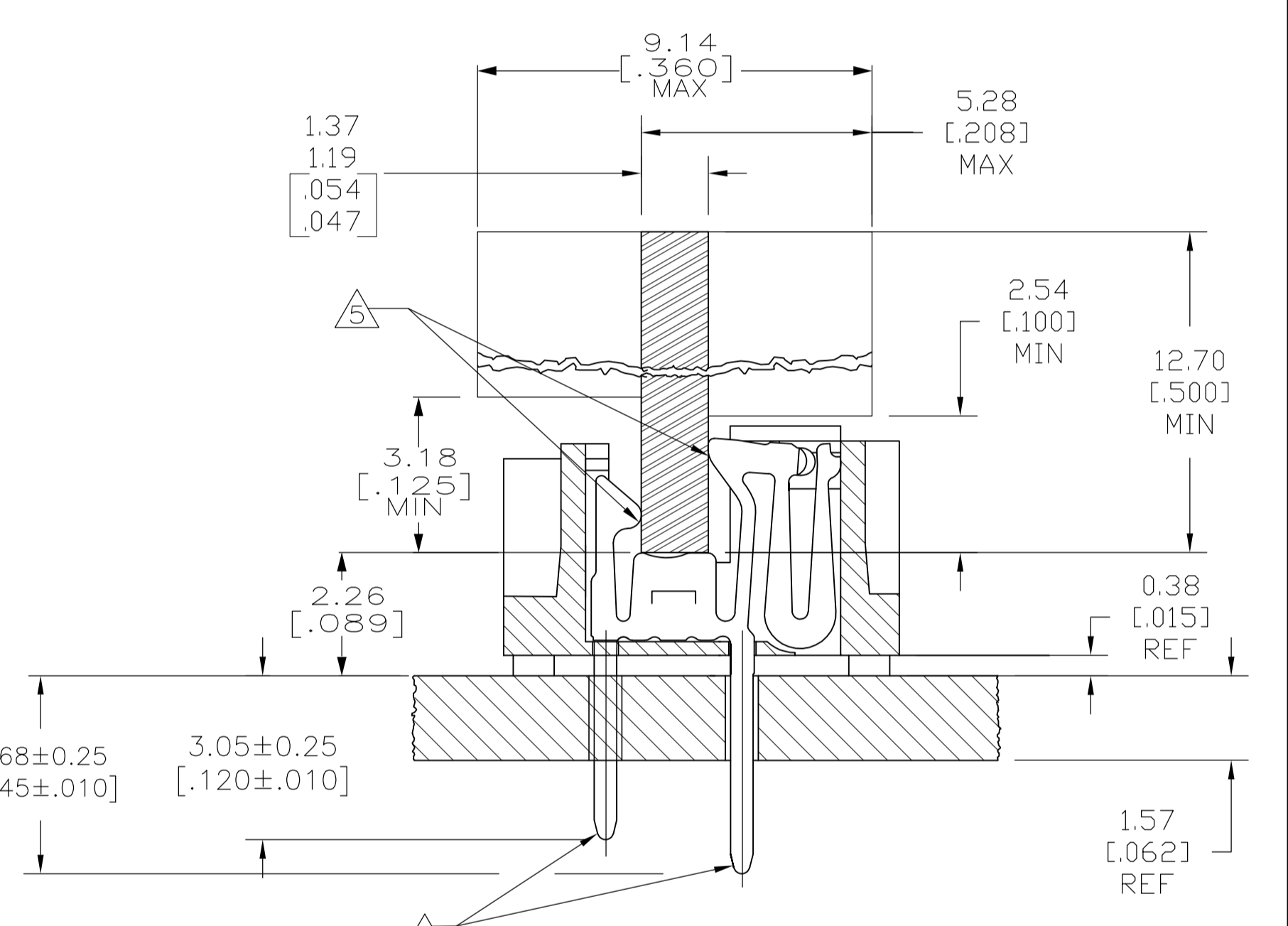
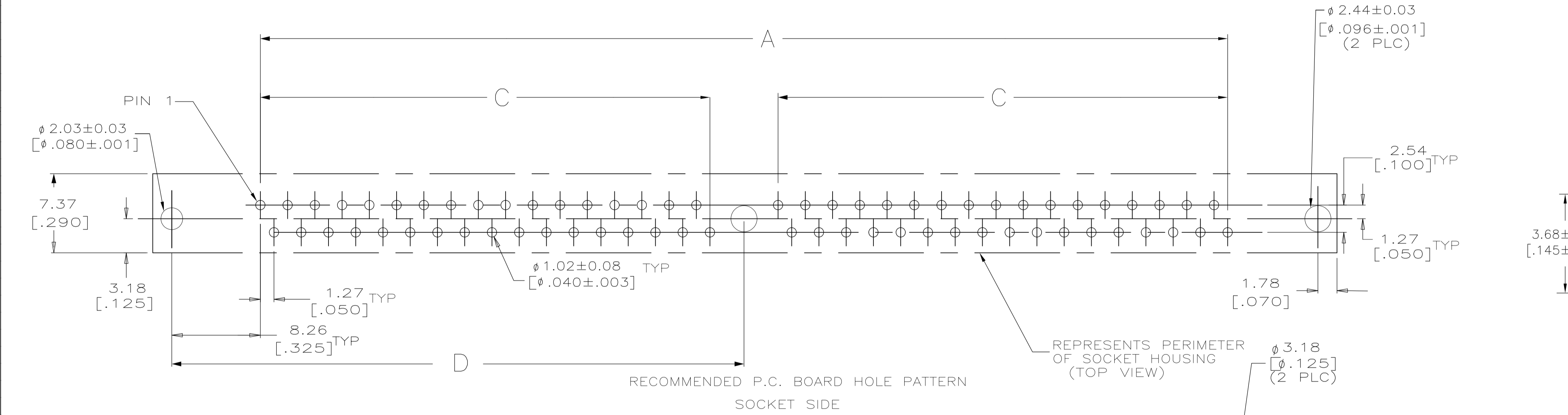


LOC		DIST		REVISIONS			
GP	00	F	LTR	DESCRIPTION	DATE	DN	APVD
B1				REVISED PER ECO-11-005033	28MAR11	RK	HMR



- △ HOUSING-MATERIAL : LIQUID-CRYSTAL-POLYMER, COLOR:NATURAL.
 - △ CONTACT-MATERIAL : PHOS. BRONZE.
 - △ LATCH-MATERIAL : BRASS, NICKEL PLATE.
 - △ CONTACT-PLATE 0.00127 [.000050] MIN NICKEL ALL OVER.
 - △ CONTACT-PLATE 0.00076[.000030] MIN. GOLD AT CONTACT PTS.
 - △ CONTACT SOLDERTAILS-PLATE 0.00508[.000200] MIN MATTE TIN.
7. IN ADDITION TO THOSE RECOMMENDED "SIMM" P.C. BOARD DIMENSIONS AND TOLERANCES SHOWN, ALL JEDEC SPECIFICATIONS APPLY AS SHOWN ON MO-116, ISSUE A.
8. RECOMMENDED MATING S.I.M.M. TAB METALLURGY:
 BASE METAL-COPPER. PLATING TO BE 0.00076[.000030] MIN GOLD OVER 0.00127[.000050] MIN NICKEL.
- △ DATE CODE: (YEAR WEEK) XXXX FORMAT, LOCATED APPROXIMATELY AS SHOWN ON OPPOSITE SIDE.



WITH CENTER POST	107.95[4.250]	101.19[3.984]	55.88[2.200]	44.45[1.750]	115.57[4.550]	95.25[3.750]	72	5821997-3
F	E	D	C	B	A	NO OF POSN	PART NO	
THIS DRAWING IS A CONTROLLED DOCUMENT.								DIN S. WAITMAN SJANOS CIRK M. YFOMANS SJANOS APVD M. YFOMANS SJANOS PRODUCT SPEC APPLICATION SPEC WEIGHT CUSTOMER DRAWING
DIMENSIONS: mm [INCHES]		TOLERANCES UNLESS OTHERWISE SPECIFIED:		NAME		SIZE		RESTRICTED TO
0 PLC ± - 1 PLC ± - 2 PLC ± - 3 PLC ± 0.13[.005] 4 PLC ± - ANGLES ± -		0.15 [.0061] (S) A (S) B 0.10 [.0041] (S) A (S) B		CONNEXOR, MICRO-EDGE, .050, VERT, GOLD PL, W/METAL LATCH		A1 00779 C=5821997		SCALE 4:1 SHEET 1 OF 1 REV B1